

ASEPT™

The Dispensing
Specialist

UNI 2 TOUCHLESS 5 LITER
UNI 3 TOUCHLESS 2.5 LITER

Sustainability and food safety in a unique combination



Features & Benefits

Optional upgrade from manual to touchless by replacing the lid only.



Fast and Easy to Change Pouch

- Large opening
- Bag clips
- Optional Quick-Change-Kit

Consistent Portion Size

- Pre-set to 30ml
- Other portion sizes upon request

No Dripping or Drying Product

- New and improved outlet nozzle
- Possible to dispense chunky condiments

Transparent Pump

- Easy product identification
- Easy verification of proper cleaning
- Produced in virgin food-grade materials

Maximum Product Yield

- Up to 98% product yield, minimizing food waste

Suitable for both front-of-house & back-of-house

Efficient Use of Counter Space

- 2.5 liter (only 14cm wide)
- 5 liter (only 17cm wide)

Dispenser Material Options

- As standard, dispenser is available in a range of different color choices.
- Optionally available with dispenser housing and lid in Recycled Materials for enhanced sustainability (black color only).

Eye Catching Branding Opportunities e.g.

- Water Transfer Printing / Hydrodipping
- Wraparounds

Pump Cleanable in Dishwasher or Wash Manually

- Very few parts in food contact making cleaning quick and easy

Minimized Food Waste

Cost-Efficient

Counterspace Saving

Portion Control

Recycled Materials Reduce CO₂ Up to 80%

Since plastic is recyclable, it means that it can be reprocessed at an industrial plant and turned into new useful products.

The raw materials created from recyclable plastic can be used to replace crude-oil based virgin raw materials in the production of new, high-quality plastic products.

Recycling minimizes the greenhouse gas emissions caused by manufacturing plastic materials, through the whole chain from oil extraction via refinery to manufacturing of the virgin materials. The reduction of CO₂ is an estimated average.

We at ASEPT produce our recycled product portfolio according to this method. All parts in food contact are made in virgin materials to meet the highest food-safety standards.



Branding Opportunities

Branding Window

Full customization of branding and colors available.



Branding Wraparound

Full customization of branding and colors available.

The Dispensing Concept of ASEPT

The product stays fresh and tasty in the air-free pouch and fewer preservatives are needed. The ASEPT fitment keeps the pouch air-free until it has been emptied. Since the fitment is exclusive for your product, no other products can be used in your branded dispenser. The product yield is up to 98% and the flexible pouch is easy to fold up when emptied, which reduces your waste and carbon footprint.



The Fitment and the Pump

The food grade vacuum pump is based on a technology developed by ASEPT more than 30 years ago. It has become a standard and is approved by all brand owners*.



SAFE: Hygienic design, easy to clean. NSF-listed.

FLEXIBILITY: Design can be made to handle high viscous products and products with particulates.

FOOD GRADE: All materials in food contact are food-grade, and meet the highest food-safety standards, and are suitable for cleaning in the dishwasher.

*The fitments and corresponding pump connectors are available in various specifications



Alternative Flexible Bag: The ready made bag-in-box bag



MATERIALS: The bags are designed with a barrier to protect your product. They can be supplied pre-sterilized in single or web.

CONNECTION: The bag has a special connector piercing cap on a standard spout. This will allow you to fill the bags on any BIB filler, Aseptic or Ultra-Clean. The piercing cap provides a clean and hygienic connection to the pump in the dispenser.

The Bag-in-box bags are designed to:

- Protect your product: Aseptic or Ultra-Clean
- Fits perfectly into the dispenser

PROTECTION: The fitment is provided with a clean peelable first-user seal to protect your product.

Easy Disassembling and Cleaning

- Very few parts (5) of the dispenser are in food-contact, making cleaning very quick and easy.
- Disassemble the parts place them in a dishwasher or clean manually with detergent under warm water using the brush (supplied with the dispenser), rinse, sanitize and dry the pump parts. The transparent pump-housing makes it easy to verify that it has been cleaned properly.

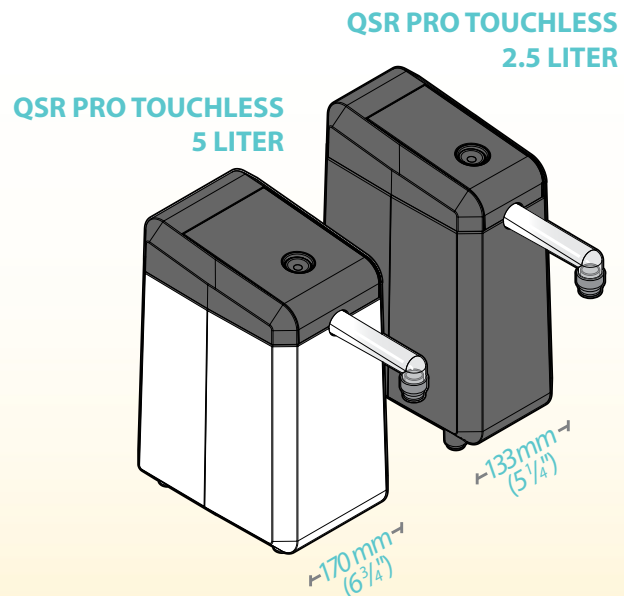
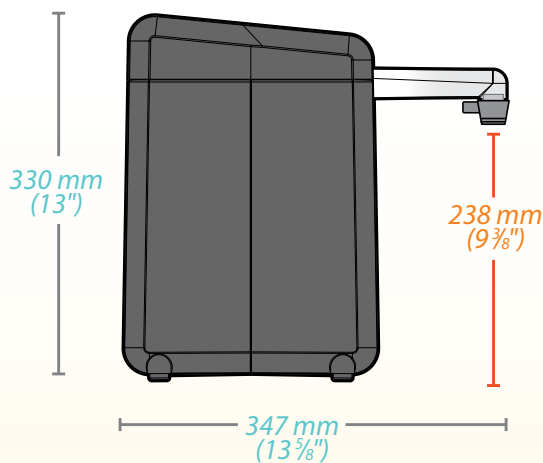


Pump Cleaning
Instruction
Video



All pump components are
dishwasher safe.

Specifications



ASEPT

ASEPT International AB

Traktorvägen 17, SE-226 60 Lund, Sweden
+46 46 329 700
info@asept.com
www.asept.com

ASEPT International Inc.

5207 N. 125th St.
Butler, WI 53007, USA
888-927-3785
info.us@asept.com