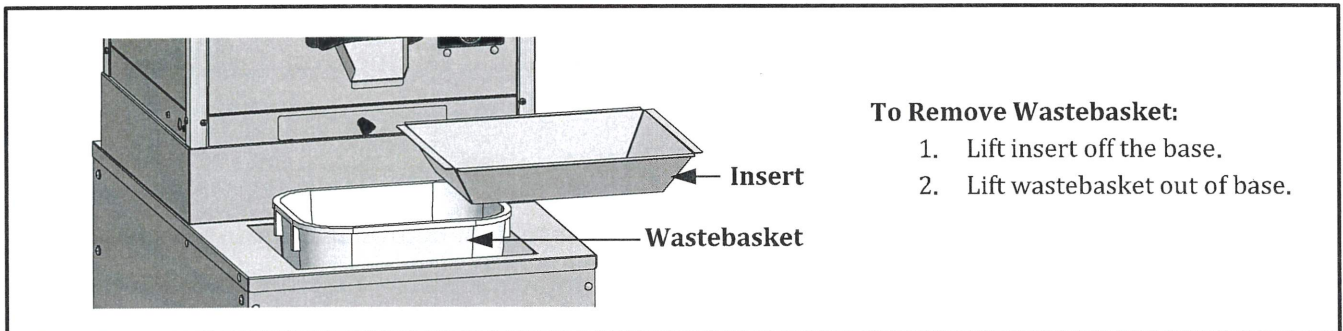
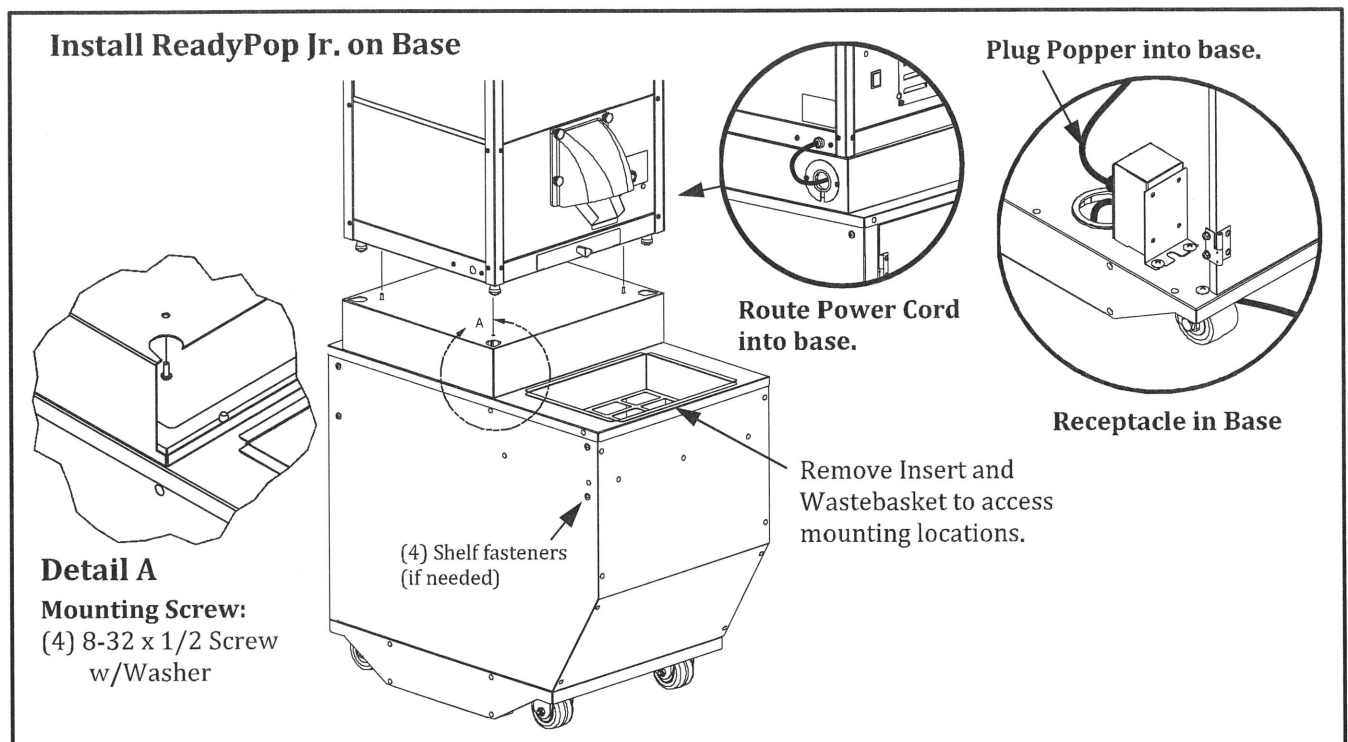


Optional – Mount Unit on a ReadyPop Jr. Base

1. Position base on a level surface and lock the caster wheels into place.
2. Remove wastebasket from base (reference description below).



3. Set ReadyPop Jr. on base—position popper so debris bin is under the dispenser and place feet into holes provided, see image below.
4. Fasten unit to base—insert a screw w/washer up through the hole in the base, and into the popper until snug. Repeat for each corner, then tighten all 4 screws to secure.
5. Route the popper's power cord into the base, see image below. Reference the Electrical Requirements section to plug in the power cord from the base.
6. Attach Shelf Option (PN 121014), if applicable (option sold separately).
7. Reinstall wastebasket and insert before use.






For an extra dirty kettle, the process may be repeated; or, after turning kettle heat OFF, allow solution to sit in kettle overnight. The next morning, finish the cleaning steps.

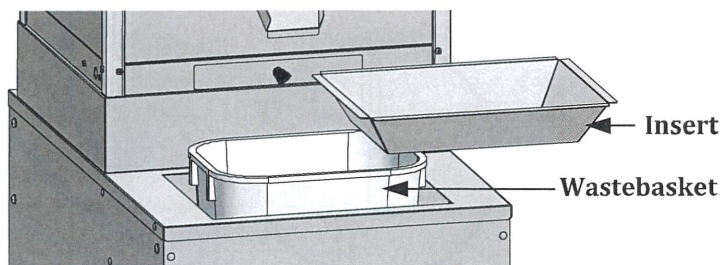
9. With unit OFF and unplugged, use a clean SLIGHTLY damp cloth (wring ANY EXCESS water from cloth before use) and wipe the kettle lead cord clean. **DO NOT get moisture into the kettle lead-in cord, severe damage will result.**
10. After kettle cleaning, check to be sure the crossbar fasteners on the kettle are securely tightened.

Daily Unit Cleaning Instructions (Base, if equipped)

1. Turn machine OFF, unplug unit and allow it to cool before attempting to clean.
2. Remove the old maid pan, coil assembly, and corn pans—take them to the sink to clean with soap and water, then rinse and dry.

To remove coil and corn pans: (refer to Coil and Corn Pan Removal in Installation section)

1. Remove any remaining popcorn.
 2. Remove the 2 side corn pans.
 3. Unscrew  coil assembly to remove it from motor shaft.
 4. Lift the bottom corn pan out of unit.
3. As needed, use a vacuum under corn pan to remove any debris.
 4. **Units with a Base:** Remove debris from wastebasket and wipe out to clean (discard any popcorn from wastebasket). Reference description below to remove wastebasket—after cleaning reinstall for use.



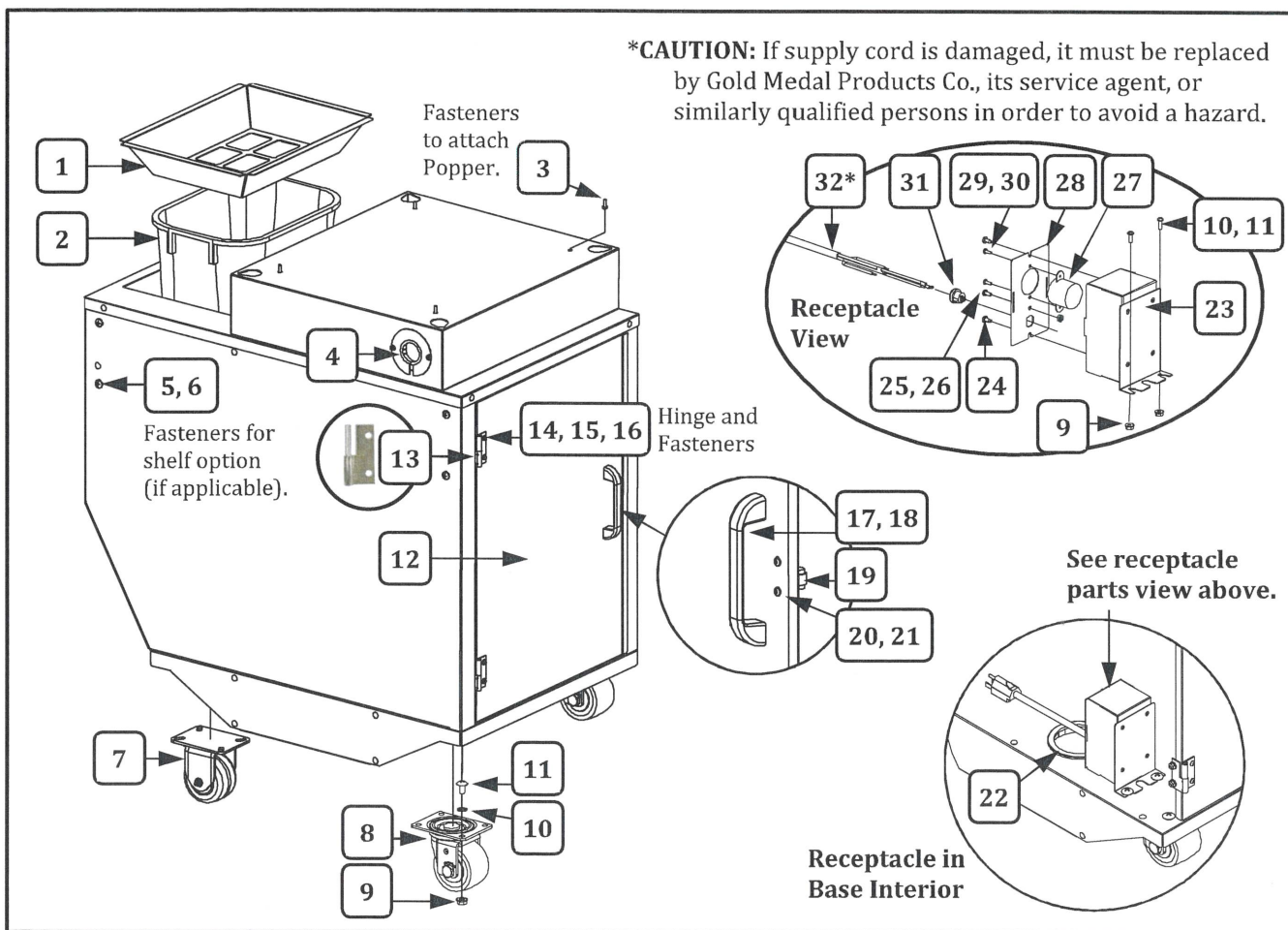
To Remove Wastebasket:

3. Lift insert off the base.
4. Lift wastebasket out of base.

5. Clean area above the corn pans and exterior using a clean, SLIGHTLY damp cloth to remove any grease from glass and cabinet (cloth may be SLIGHTLY dampened with soap and water, then wipe again with clean water to remove any remaining cleaner).
6. Clean glass panels with glass cleaner. Gold Medal Watchdog Glass Cleaner (Item No. 2588) is recommended.
Ammonia cleaners will damage plastic doors/panels. Only use a non-ammonia cleaner, such as Gold Medal Watchdog Glass Cleaner (Item No. 2588).
7. Reinstall the clean and dry pans/accessories.
8. Check the kettle lead cord, make sure it is fully plugged into the kettle receptacle and the plug is fully twisted to lock it into place.



Model 2793-01-000 Base



Item	Part Description	Part Number 2793-01-000
1	INSERT	120224
3	WASTE BASKET	37019
3	8-32 X 1/2 PH PAN W/SEMS	47124
4	1.5IN SPLIT SNAP GROMMET	114434
5	1/4-20 X 1/2 P/H PHIL	12471
6	1/4-20 SERRATED LOCK NUT	46311
7	3 IN RIGID CASTER	69962
8	3 IN HD CASTER W/BRAKE	115543
9	5/16-18 SERRATED LOCK NUT	49317
10	WASHER 5/16 INT TOOTH	74137
11	5/16-18 X 5/8 PH TR M/S	46638
12	DOOR	114953
13	MALE HINGE SHORT RIGHT	41350
14	FEMALE HINGE LEFT	41355
15	8-32 X 3/8 PAN HD PH M/S	12389
16	8-32 SERRATED FLANGE NUT	61151
17	DRAWER HANDLE	87420

Item	Part Description	Part Number 2793-01-000
18	10-24 X 1/2 PH TRUSS M/S	42826
19	DOOR CATCH	12045
20	6-32 X 3/8 PHIL PAN M/S	39000
21	6-32 GRIP NUT ZINC PLATED	47517
22	BUSHING, SNAP 3.500 IN	67802
23	RECEPTACLE BOX ASSEMBLY (incls receptacle box and bracket)	114622
24	SCREW #8-32X3/8 PAN HD PH	74141
25	8-32 X 3/8 PH PAN W/SEMS	42227
26	8-32 HEX M/S NUT	74149
27	SCHUKO OUTLET TYPE F	114645
28	RECEPTACLE PLATE	114481-01
29	6-32 X 3/8 PH FL HD M/S	47772
30	6-32 GRIP NUT ZINC PLATED	47517
31	STRAIN RELIEF SR-6P3-4	76026
32*	POWER SUPPLY CORD, EXPORT	42369