



GOLD MEDAL® PRODUCTS CO.

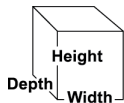
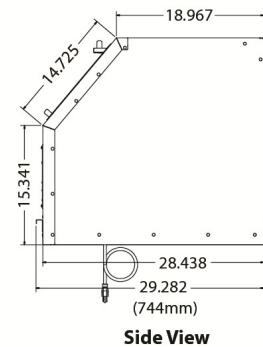
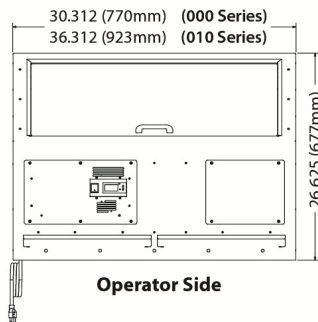
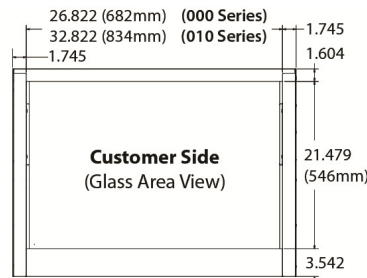
(30 & 36") 1 Door Elite Storage Cabinets

Model No. 2686-01-000 and 2686-01-010

Specifications



Customer Side (010 Series shown for general image reference only.)



Overall Dimensions:

Width: reference drawing shown

Depth: 29.282" (744mm)

Height: 26.625" (677mm)

Features:

- 2686-01-000 - 30" Elite Storage Cabinet
- 2686-01-010 - 36" Elite Storage Cabinet
- 1 Door, 1 Insulated Compartment
- High Visibility Glass
- LED Lighting
- Digital Temperature Display

Electrical - Export

230V

565 WATTS 50 Hz

(Schuko CEE 7/7) Plug

Available Accessory Options (sold separately):

- Compartment Divider (116230) - fits both Models
- Roller Base options for **2686-01-000**:
6" (2343BS); 8" (2343BS34); 16" (2343BSD)
- Roller Base options for **2686-01-010**:
6" (2344BS); 8" (2344BS34); 16" (2344BSD)

Plug Type:

Agency Approvals:



SCHUKO CEE 7/7



For individual Roller Base specifications, refer to the Spec Sheet for each base.



Gold Medal Products Co.
10700 Medallion Drive, Cincinnati, OH 45241

Ph: (513) 769-7676, (800) 543-0862; Fax: (513) 769-8500
gmpopcorn.com info@gmpopcorn.com