

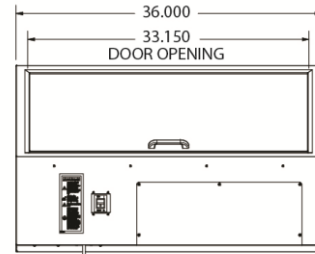


GOLD MEDAL® PRODUCTS CO.

36" Gourmet Popcorn Merchandiser

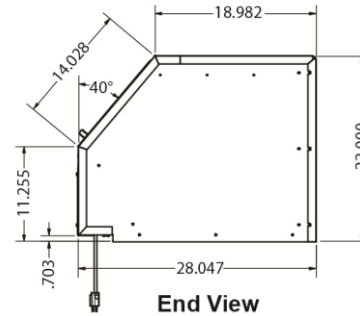
Model No. 2492-01-000

Specifications

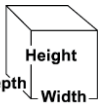


Power Cord
Approx. 5.25 ft

Operator View



End View



Height
Depth
Width

Overall Dimensions:

Width: 36"
Depth: 28.047"
Height: 22"

Features:

- Unheated
- Capacity: Approx. 36 gallons of popcorn
- LED lighted
- Single door cabinet; one divider

Electrical - Export

230V
40 WATTS 50 Hz
(Schuko CEE 7/7) Plug

Plug Type: **Agency Approvals:**



SCHUKO CEE 7/7



Gold Medal Products Co.
10700 Medallion Drive, Cincinnati, OH 45241

Ph: (513) 769-7676, (800) 543-0862; Fax: (513) 769-8500
gmpopcorn.com info@gmpopcorn.com